

## Product data sheet

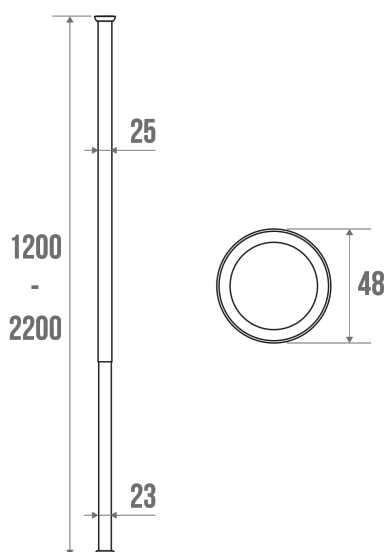
### Information

Designation	Extending straight curtain rail, 1200 à 2200 mm, White Epoxy-coated Aluminium, tube Ø 25 mm
Reference	013420

### Product advantages

- + **No drilling required.**

### Description



White epoxy-coated aluminium tube Ø 25 mm with suction cups.  
Cannot be shortened.  
Easy to fit: Self-locking extending tension rod. No drilling required.

Wall fixings not included.  
Curtain rail coordinated with the TRIOLO accessories.

### Technical characteristics

Finish	Epoxy-coated
Color	White
Dimensions	1200 to 2200 mm
Diameter Ø	25 mm
Material	Aluminum
Gross weight	0.240 kg
Packaging	Printed plastic protection bag
Maintenance	yes
Guarantee	10 years
Gencod	3563390134207

Custom code	7615200000
Technical sheet	No technical sheet available
Spare parts	Ref. 013411, Suction cups (pair).

## Fixing and maintenance advices

---

Careful consideration and selection of the appropriate wall fixings according to the wall-mounted support is required to ensure the long life of your accessory. The use of stainless steel screws ( $\varnothing$  4 mm) is highly recommended to prevent corrosion in damp environment. Before drilling, physically hold the product against the wall at desired position and mark the hole locations. All the fixing points must be respected. After installation and before use, make sure that all fixing screws are tightened securely.

Fiche produit mise à jour le : 07/05/2024